

# VISION 3 LIGHTING

## Rear Mount MR16 Flood **MODEL FL1** 12V 50W Max., MR16 Halogen 12V 7.5W, 12/24V 6W, or 12V 10W LED

### Specifications

#### Body

Machined 6061-T6 aluminum, C36000 brass, or 304 stainless steel body with 18-8 stainless steel hardware.

#### Knuckle

Machined 6061-T6 aluminum, C36000 brass, or 304 stainless steel mounting knuckle with a 1/2" NPS threaded male fitting allows a full range of mounting positions. Double taper design (U.S. Patent #6,966,679) allows fixture to hold position during aiming and ensures a solid lock when tightened. Integral high temperature silicone O-ring prevents leaking between housing and knuckle. Integral LED models have a molded silicone wire seal to prevent water entry at knuckle. Available Rotate and Lock option (U.S. Patent #7,108,405 & #7,458,552) allows for full 360° horizontal aiming and locking.

#### Cap

Machined cap locks in place with one 18-8 stainless steel set screw, and is sealed to the body with a high temperature silicone O-ring. Round C2 & C4 caps have drain holes for water drainage from top of lens. Square caps feature removable and field interchangeable cutoffs with 'flow-through' design for 360° drainage with no light leak. 'Flush Lens' cap styles incorporate a stepped lens to reduce the collection of water and debris on the lens.

#### Finish

TGIC thermo set polyester powder coat paint available in

14 standard colors. On aluminum model, finish is applied over a corrosion resistant, hexavalent chromium free, RoHS compliant coating. Aluminum model available in one additional metal finish: Clear Anodized. Brass model available in three additional metal finishes: Natural, Polished, and Aged. Stainless steel model available in three additional metal finishes: Natural, Polished, and Brushed.

#### Socket

GY-6.35 porcelain socket with 600V, 250°C, PTFE coated 18 ga leads.

#### Lens

Tempered, clear lens, secured to cap with a high temperature, UV curing, silicone adhesive.

#### Lamps

**MR16 Halogen:** 12V bi-pin up to 50W (maximum allowable wattage depends on model and application. See Certification heading).

**Integral LED:** 12-24V AC/DC 6W (400lm) or 12V AC/DC 10W (700lm) LED options include integral driver with High/Low switch for 35W/20W (6W) or 50W/35W (10W) halogen equivalent outputs. LED Modules are field replaceable and feature replaceable lenses, an L70 > 60,000 hrs., dynamic transformer recognition, phase dimming (see Transformer and Dimmer Compatibility List), and patented LEDSense® thermal management.

**Retrofit MR16 LED:** 12V 7.5W (600lm) bi-pin retrofit

Soraa™ MR16 LED lamp with specially engineered heat sink mount to ensure proper heat transfer to body. Note: Retrofit LED will overheat without supplied heat sink mount.

#### Certification

CSA tested & certified to US and Canadian safety standards for the following applications:

Wet location landscape use (UL1838):

**FL1A - 50W Max. MR16 Halogen lamp.**  
**FL1B - 35W Max. MR16 Halogen lamp.**  
**FL1S - 20W Max. MR16 Halogen lamp.**

Wet location wall mount use (UL1598):

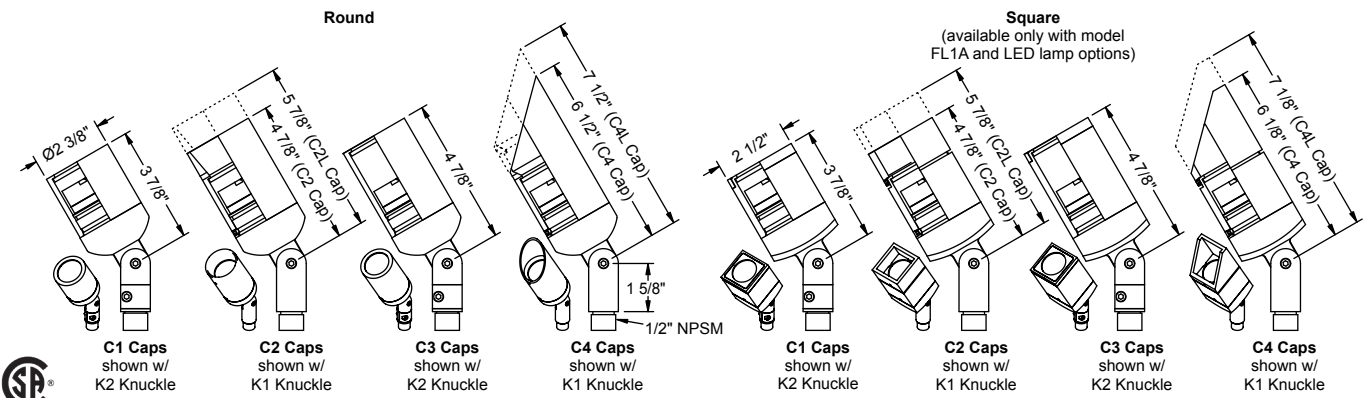
**FL1A - 50W Max. MR16 Halogen lamp.**  
**FL1B - 20W Max. MR16 Halogen lamp.**  
**FL1S - 20W Max. MR16 Halogen lamp.**

Wet location ceiling mount use (UL1598):

**FL1A - 20W Max. MR16 Halogen lamp.**  
**FL1B - 20W Max. MR16 Halogen lamp.**  
**FL1S - 20W Max. MR16 Halogen lamp.**

**LED options can be used in all models and applications.**

All ratings subject to change without notice. See website or contact V3 for most current info.



### Ordering Information

Model	Shape	Cap Style	Knuckle	Lens Accy <sup>6</sup>	Filter <sup>6</sup>	Louver <sup>6</sup>
FL1A - Aluminum FL1B - Brass <sup>1</sup> FL1S - Stainless <sup>1</sup>	RND - Round SQ - Square <sup>1</sup>	<u>Standard Lens:</u> C1 - Flush C2 - Regress Lens C2L - Regress Lens, Long C3 - Regress Lamp C4 - 45° Angled C4L - 45° Angled, Long	K1 - Standard <sup>3</sup> K2 - Rotate & Lock <sup>3</sup>	0 - None L1 - Spread L2 - Linear L3 - Softening	0 - None F4 - Green F5 - Amber F6 - Pink F3 - Light Blue F7 - Mercury Vapor	0 - None H1 - Hex
<u>Finish</u>		<u>Flush Lens:</u> C1F - Flush C2F - Regress Lens C2LF - Regress Lens, Long C3F - Regress Lamp C4F - 45° Angled C4LF - 45° Angled, Long	<u>Lamp</u>			
<u>Powder Coat Finishes:</u> BLT - Textured Black BNT - Textured Bronze BAT - Textured Bark GRT - Textured Green GNT - Textured Granite SAT - Textured Sand PAT - Textured Patina EAT - Textured Earth	BL - Black BN - Bronze WI - White SI - Silver GY - Grey BE - Beige		<u>Integral LED (3000K, &gt;80 CRI):</u> <sup>4,5,6</sup> 116 - 6W, 12°    141 - 10W, 12° 117 - 6W, 21°    142 - 10W, 21° 118 - 6W, 41°    143 - 10W, 41°			
<u>Metal Finishes:</u> CLA - Clear Anodized (FL1A only) NAT - Natural (FL1B & FL1S only) POL - Polished (FL1B & FL1S only) AGE - Aged (FL1B only) BRU - Brushed (FL1S only)			<u>MR16 Halogen:</u> <sup>1,2</sup> 0 - None    05 - FMW, 35W, 40° 01 - ESX, 20W, 12°    09 - EXT, 50W, 13° 02 - BAB, 20W, 40°    10 - EXZ, 50W, 26° 03 - FRB, 35W, 12°    11 - EXN, 50W, 40° 04 - FRA, 35W, 23°    12 - FNV, 50W, 60°			
			<u>Retrofit MR16 LED (3000K, 90 CRI):</u> <sup>4,5,7</sup> 155 - 7.5W, 10° 156 - 7.5W, 25° 157 - 7.5W, 36°			

#### Notes:

- SQ shape available with model FL1A and LED lamps only
- Allowable wattage depends on model and application. See Certification heading above.
- K1 knuckle is protected under U.S. Patent #6,966,679. K2 knuckle is further protected under U.S. Patent #7,108,405 & #7,458,552.
- Only power LED lamp options with approved transformers (contact V3 for transformer compatibility info).
- LED lamp options available in other color temperatures and / or CRI's (contact V3 for info).
- Only two lens accessories can be used with Integral LED.
- Use only approved Retrofit MR16 LED lamps and supplied heat sink mount, otherwise LED may overheat.
- Specifications, certifications, and ordering information are subject to change. Please check website for latest specification sheets.

Example: **FL1B - AGE - RND - C3 - K2 - 117 - 0 - F2 - H1**